



TECHNICAL DOCUMENTATION

Professional network solutions for enterprise, industrial and OT/IT environments.

Provided by 4net in collaboration with leading technology partners.

4net

Reliable OT/IT network infrastructure solutions



fournet.be



info@fournet.be



+32 (0)15 29 29 99



Trusted expertise for reliable networks.



one-sectioned – RBA

One-sectioned welded wall cabinet.
IP20, capacity 60-100 kg



■ Rigid construction

The cabinet has a robust welded construction. High quality workmanship and the latest technology ensure excellent design of the cabinet.



■ Flexible door opening

The own hinge system allows the door to be opened at an angle of 165°. The door can be easily removed. By rotating whole cabinet you change the direction of door opening.



■ Door lock

It enables an easy and quick access into the cabinet.

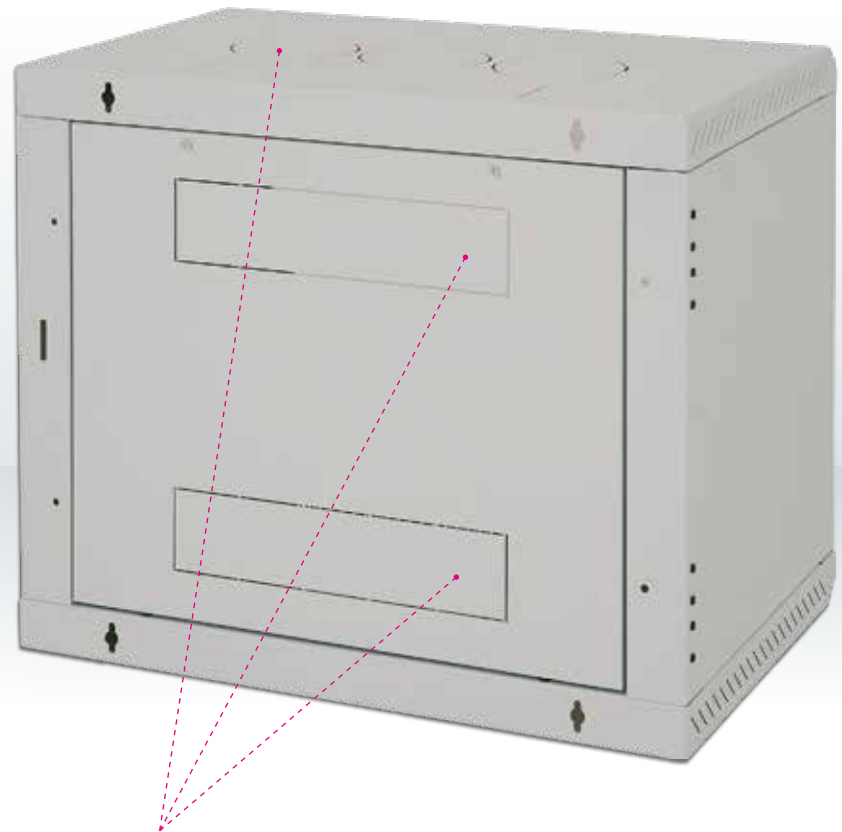


■ Adjustable vertical rails

One pair of vertical 19" rails is freely adjustable in any depth of the cabinet. This simplifies mounting of devices and organisation of patch cables.

■ Doors

The cabinet has fully glass door in standard. It can be solid steel or perforated if required.



■ Breakout-type blanking panels

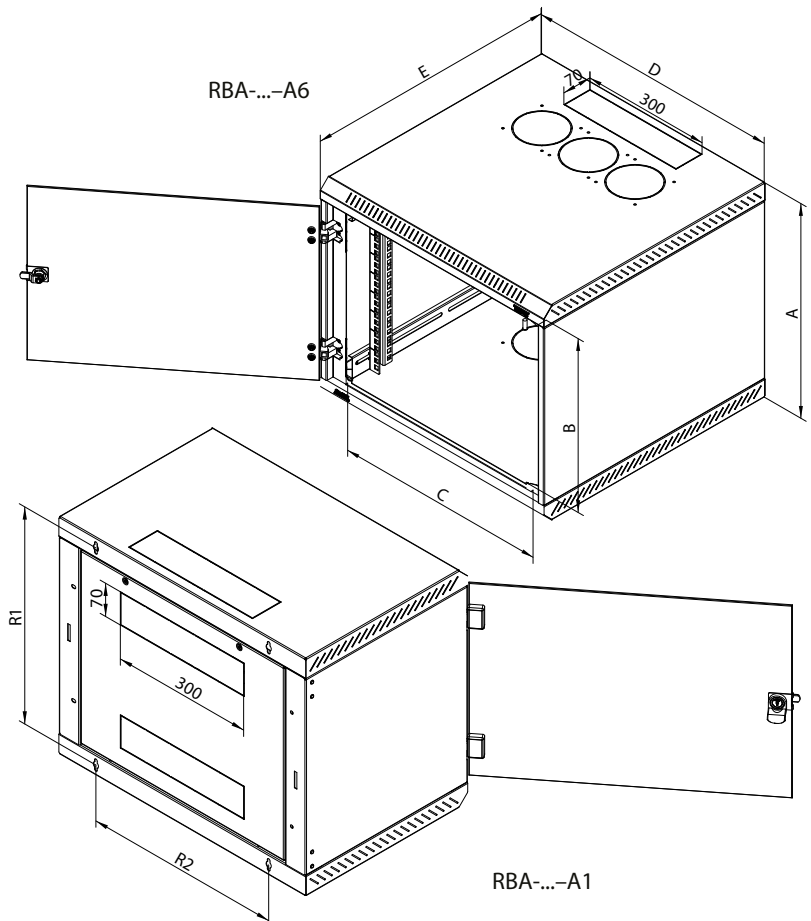
Cable openings covered with breakout-type blanking panels are ready in the top, bottom and rear part of the cabinet. In the supply, there is a fringe edge and a brush to seal the cabinet opening against dust penetration.

RBA (DELTA B 4S)										
Type	A	B	C	D	E	R1	R2	Weight gross (kg)	Weight net (kg)	Maximum recommended load (kg)
	(mm)									
RBA-04-AS4-CAX-A1	280	175	516	600	395	234	420	12,0	11,7	60
RBA-06-AS4-CAX-A1	370	265	516	600	395	324	420	13,9	13,6	60
RBA-09-AS4-CAX-A1	500	395	516	600	395	454	420	16,5	16,1	80
RBA-12-AS4-CAX-A1	635	530	516	600	395	589	420	19,5	19,1	80
RBA-15-AS4-CAX-A1	770	665	516	600	395	724	420	22,2	21,8	100
RBA-18-AS4-CAX-A1	900	795	516	600	395	854	420	25,1	24,7	100

RBA (DELTA B 5S)										
Type	A	B	C	D	E	R1	R2	Weight gross (kg)	Weight net (kg)	Maximum recommended load (kg)
	(mm)									
RBA-04-AS5-CAX-A1	280	175	516	600	495	234	420	13,8	13,5	60
RBA-06-AS5-CAX-A1	370	265	516	600	495	324	420	16,0	15,6	60
RBA-09-AS5-CAX-A1	500	395	516	600	495	454	420	18,8	18,4	80
RBA-12-AS5-CAX-A1	635	530	516	600	495	589	420	22,1	21,7	80
RBA-15-AS5-CAX-A1	770	665	516	600	495	724	420	25,0	24,6	100
RBA-18-AS5-CAX-A1	900	795	516	600	495	854	420	28,1	27,7	100

RBA (DELTA B 6S)										
Type	A	B	C	D	E	R1	R2	Weight gross (kg)	Weight net (kg)	Maximum recommended load (kg)
	(mm)									
RBA-04-AS6-CAX-A1	280	175	516	600	595	234	420	15,8	15,5	60
RBA-06-AS6-CAX-A1	370	265	516	600	595	324	420	18,0	17,7	60
RBA-09-AS6-CAX-A1	500	395	516	600	595	454	420	21,1	20,8	80
RBA-12-AS6-CAX-A1	635	530	516	600	595	589	420	24,3	24,0	80
RBA-15-AS6-CAX-A1	770	665	516	600	595	724	420	27,6	27,2	100
RBA-18-AS6-CAX-A1	900	795	516	600	595	854	420	30,7	30,3	100

* For purchase of data cabinet ready for fans it is necessary to specify ...-A6 at the end of product code.



■ Ventilation

The RBA type A6* has 6 break-out blanking panels for the installation of ventilation units RAC-CH-X2x-X1 or fans RAX-CH-X07-X9 (up to 3 in top and 3 in bottom part of the cabinet). The RBA cabinet now allows the installation of equipment that previously could not be cooled enough in wall-mounted cabinets and had to be installed in free-standing cabinets.

Wall-mounted cabinet RBA – one-sectioned

One-sectioned welded wall cabinet IP20, load capacity from 60 – 100 kg.

PRODUCT DETAILS

Rigid construction

The cabinet has a robust welded construction. High quality workmanship and the latest technology ensure excellent design of the cabinet.

Doors

The cabinet doors are fully glass as standard, but can also be solid metal or perforated on request.

Flexible door opening

The own hinge system allows the door to be opened at an angle of 165°. The door can be easily removed. By rotating whole cabinet you change the direction of door opening.

Glass

The full-glass door are made of 4mm thick tempered safety glass, which is resistant to common impacts. When broken, it forms a number of small fragments like automotive glass. For safety reasons, we recommend closing the door after installing the equipment in the cabinet to prevent collision with other objects. Used glass is tested in a certified testing laboratory and meet the requirements of ČSN EN 12150-1+A: Glass in construction – Thermally tempered soda-lime-silicate safety glass. The tested glass meets the standard for the disintegration of glass after breakage, Certificate of Conformity CQ-24-2023, Test Protocol IKATES 58A-2024.

Door lock

Allows easy and quick access to the cabinet.

Adjustable vertical rails

Vertical 19" rails can be adjusted freely in any depth of the cabinet. This simplifies mounting of the device and configuration of cables. One pair of verticals is preinstalled. There is a perforation in the back of the skeleton which is a replacement for the second pair of verticals. Another option is to add vertical rails as an optional accessory.

Break-out blanking panels

In the upper, lower and rear part of the cabinet there are cable entrances covered with break-out blanking panels. The cables can be sealed against dust penetration with a brush (included in the cabinet supply).

Ventilation

The RBA type A6 has 6 break-out blanking panels for the installation of ventilation units RAC-CH-X2x-X1 or fans RAX-CH-X07-X9 (up to 3 in top and 3 in bottom part of the cabinet). The RBA cabinet now allows the installation of equipment that previously could not be cooled enough in wall-mounted cabinets and had to be installed in free-standing cabinets.

DESCRIPTION, PURPOSE OF USE

- 19" one-sectioned wall-mounted cabinet with IP20 protection.
- Cabinet is to be hanged right on the wall.
- Cabinet includes two sliding vertical rails.
- Cabinet construction:
 - Compact welded cabinet,
 - Safety hardened fully glass door, thickness 4mm. May be solid metal or perforated on request.
- Max. permissible load of the door is 10 kg.
- Min. thickness of the surface finish is 65 µm.
- Cabinets are intended for installation of data and telecommunication devices and their distribution systems.
- The frame of the cabinet and all the removable parts (side and rear covers, doors...) are bonded with flexible cables that have to be properly fixed and inserted into connectors throughout the period of use of the cabinet.
- There is one M8 screw placed on the bottom part of the cabinet as a central earthing point.
- Cable entries covered with break-out blanking panels are placed in the top and the bottom part of the cabinet rear side, others are in the top and the bottom side of cabinet.
- The A6 version has openings for the fan unit installation in the bottom and top of the cabinet, covered by break-out blanking panels.

ADDITIONAL INFORMATION

Operating conditions

- **Operating environment:**
 - the indoor environment,
 - the cabinet is not intended for outdoor installations and for installations in environment that can negatively influence the functionality of the cabinet and/or the mounted devices (e.g. environment with danger of explosion or humid and wet surroundings).

- **Must be protected against:**
 - mechanical damage,
 - improper handling,
 - a different usage than the cabinet is intended for.
- **Improper handling is especially:**
 - overloading (exceeding the maximum recommended load capacity),
 - installation of equipment that adversely affects the operation and function of the cabinet or installed equipment,
 - change of the construction or design of the cabinet.

Installation of the cabinet

This type of cabinet is to be hanged directly on the wall using screws, dowels and washers (included). The spacing of the mounting holes is marked with "R" on the cabinet scheme. To secure the maximum recommended load capacity, it is necessary that the cabinet is mounted on a wall of adequate load capacity (brick, concrete or similar) and that the installed load is evenly distributed in the cabinet. If the cables are routed through one of the cable entries, it can be sealed against dust penetration with a brush and protected with a fringe edge (both included in the cabinet supply).

Environmental protection

All parts are made of recyclable materials and after decommissioning the cabinet, it must be disposed of according to relevant regulations.

Certificate and conformity

This product is certified with TÜV SÜD Czech and fully in accordance with ČSN EN 62208 ed.2:2012 (EN 62208:2011). Latest certificate is available at www.triton-racks.com/certificates.



two-sectioned – RBA

Two-sectioned welded wall cabinet.
IP20, capacity 20-30 kg



■ Rigid construction

The cabinet has a robust welded construction. High quality workmanship and the latest technology ensure excellent design of the cabinet.



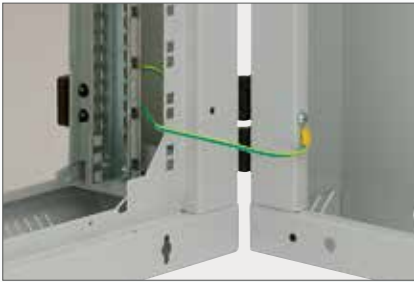
■ Flexible door opening

The own hinge system allows the door to be opened at an angle of 165°. The door can be easily removed.



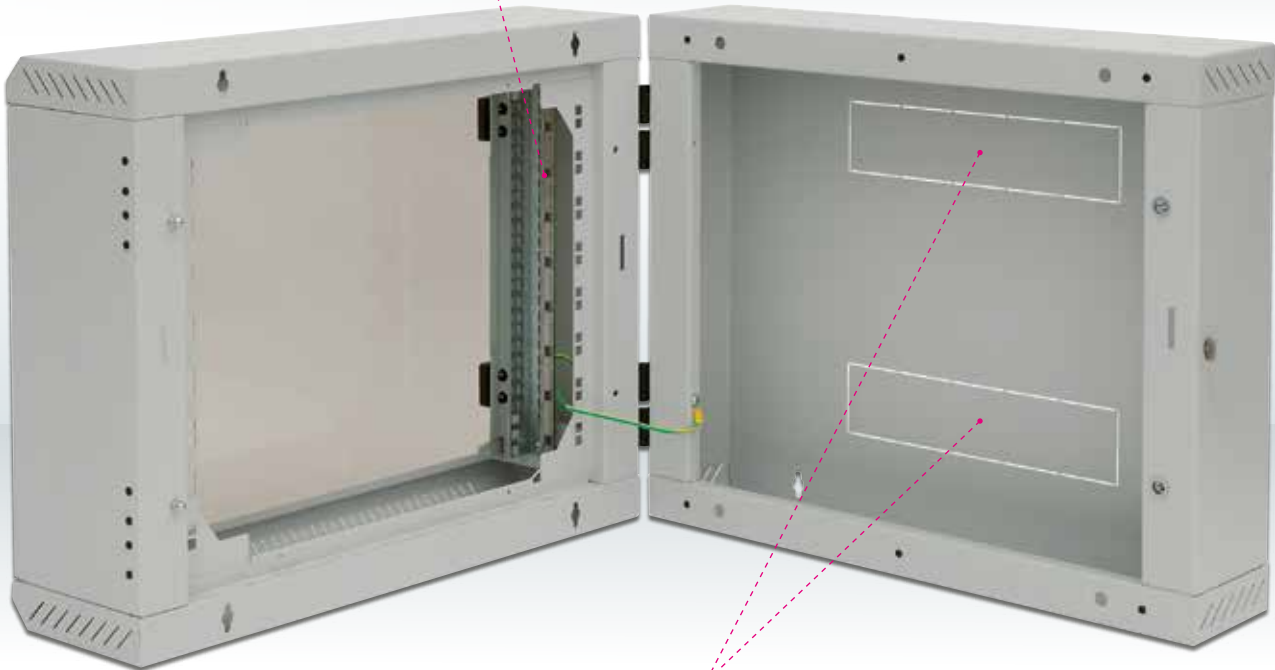
■ Locks

In the standard version, the door lock and the hinged part have the same key.



■ Adjustable vertical rails

One pair of vertical 19" rails is freely adjustable in any depth of the cabinet. This simplifies mounting of devices and organisation of patch cables.



■ Doors

The cabinet doors are fully glass as standard, but can also be solid metal or perforated on request.

■ Breakout-type blanking panels

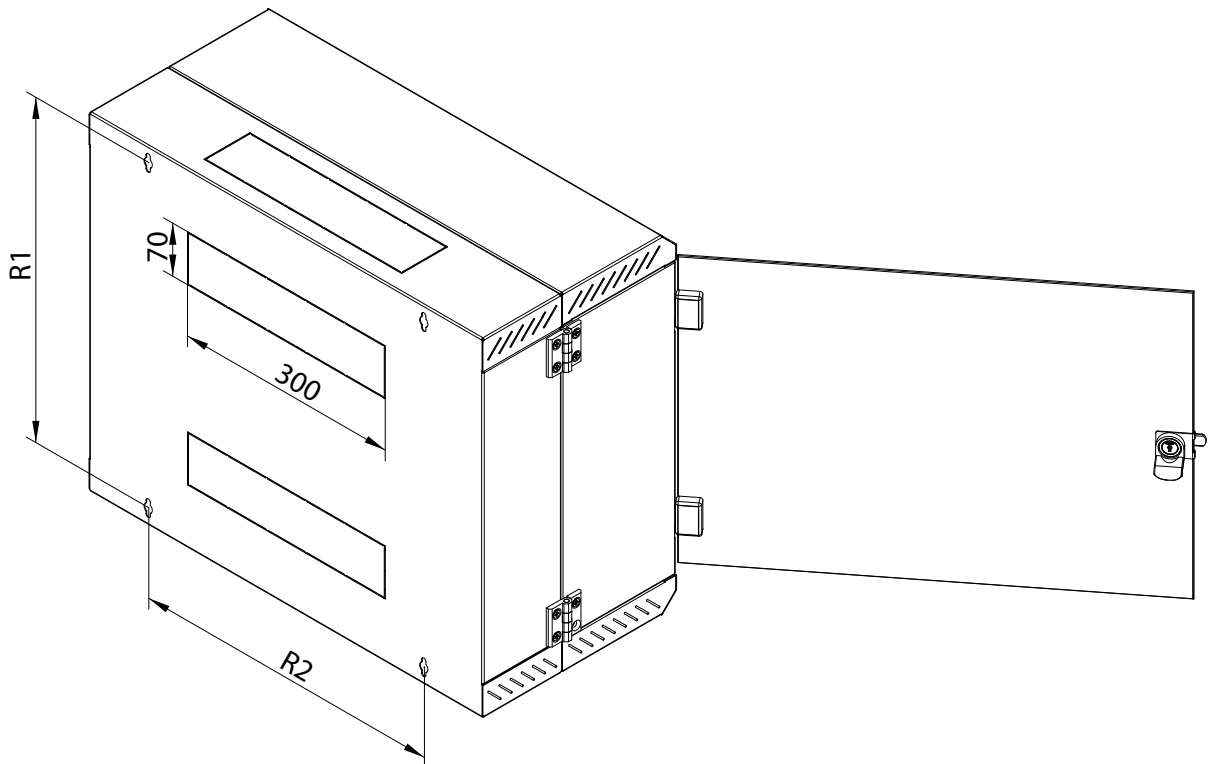
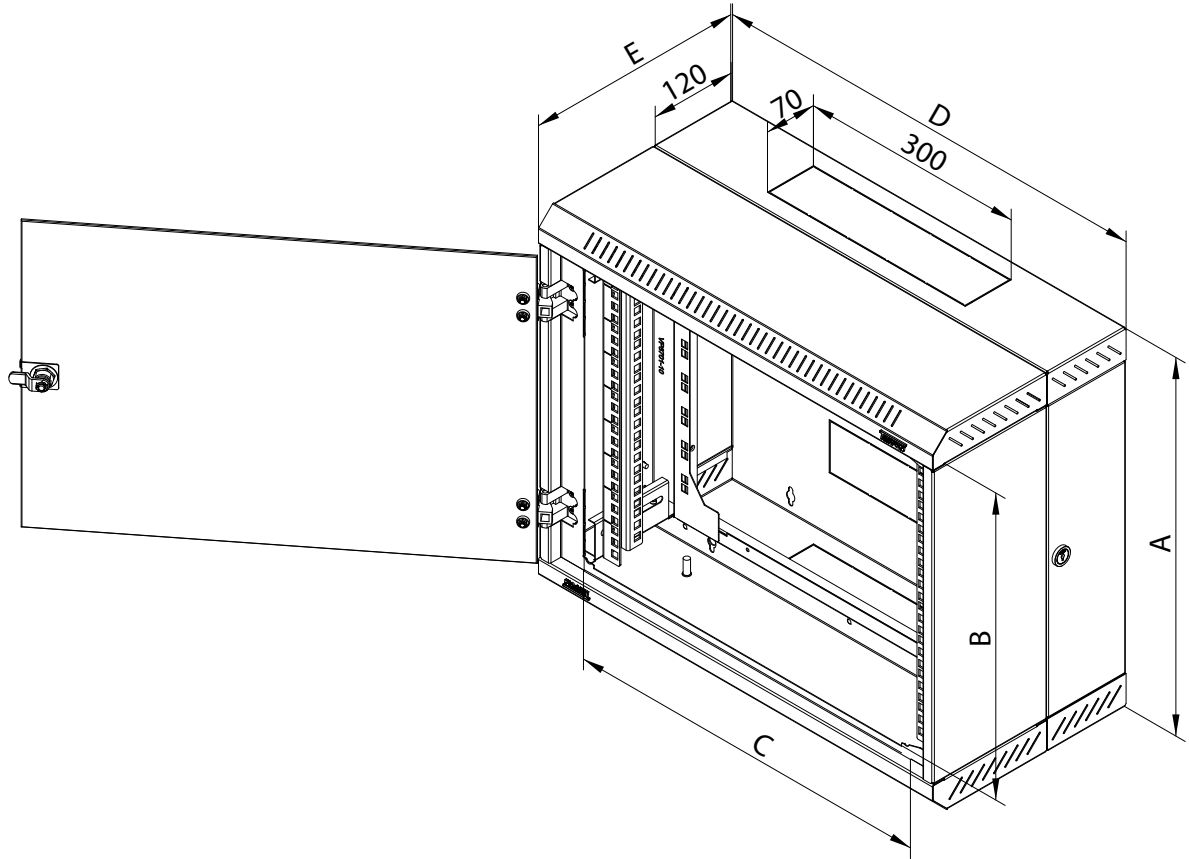
Cable openings covered with breakout-type blanking panels are ready in the top, bottom and rear part of the cabinet. In the supply, there is a fringe edge and a brush to seal the cabinet opening against dust penetration.

■ Easy access

The opening parts of the cabinet allow easy access to the rear of the cabinet. After unlocking the connecting locks, the front section of the cabinet can be easily opened. All parts are bonded together.

RBA (DELTA B 2D)

Type	A	B	C	D	E	R1	R2	Weight gross (kg)	Weight net (kg)	Maximum recommended load (kg)
	(mm)									
RBA-04-AD2-CAX-A1	280	175	516	600	295	234	420	11,1	10,8	30
RBA-06-AD2-CAX-A1	370	265	516	600	295	324	420	12,7	12,4	
RBA-09-AD2-CAX-A1	500	395	516	600	295	454	420	15,5	15,2	





■ Rigid construction

The cabinet has a robust welded construction. High quality workmanship and the latest technology ensure excellent design of the cabinet.



■ Flexible door opening

The own hinge system allows the door to be opened at an angle of 165°. The door can be easily removed.



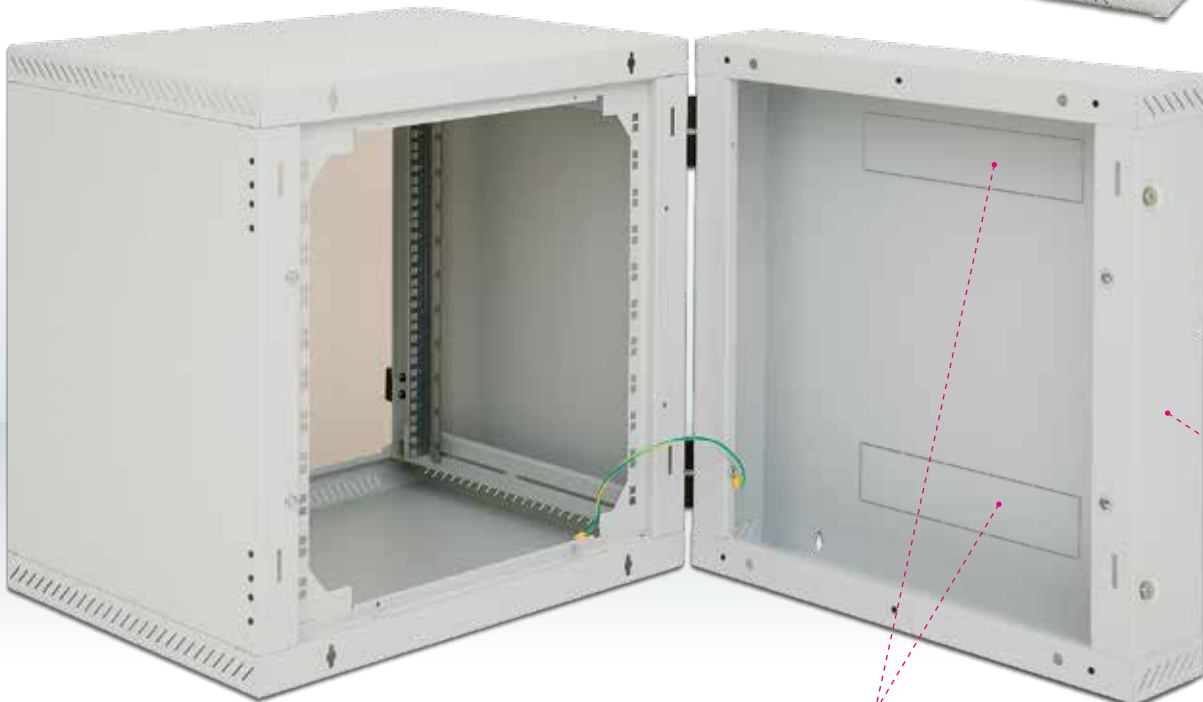
■ Locks

In the standard version, the door lock and the hinged part has the same key.



■ Adjustable vertical rails

One pair of vertical 19" rails is freely adjustable in any depth of the cabinet. This simplifies mounting of devices and organisation of patch cables.



■ Doors

The cabinet doors are fully glass as standard, but can also be solid metal or perforated on request.

■ Breakout-type blanking panels

Cable openings covered with breakout-type blanking panels are ready in the top, bottom and rear part of the cabinet. In the supply, there is a fringe edge and a brush to seal the cabinet opening against dust penetration.

RBA (DELTA B 5D)										
Type	A	B	C	D	E	R1	R2	Weight gross (kg)	Weight net (kg)	Maximum recommended load (kg)
(mm)										
RBA-04-AD5-CAX-A1	280	175	516	600	515	234	420	15,4	15,1	20
RBA-06-AD5-CAX-A1	370	265	516	600	515	324	420	17,3	16,9	20
RBA-09-AD5-CAX-A1	500	395	516	600	515	454	420	20,5	20,1	25
RBA-12-AD5-CAX-A1	635	530	516	600	515	589	420	23,9	23,5	25
RBA-15-AD5-CAX-A1	770	665	516	600	515	724	420	27,4	27,0	30
RBA-18-AD5-CAX-A1	900	795	516	600	515	854	420	30,5	30,1	30

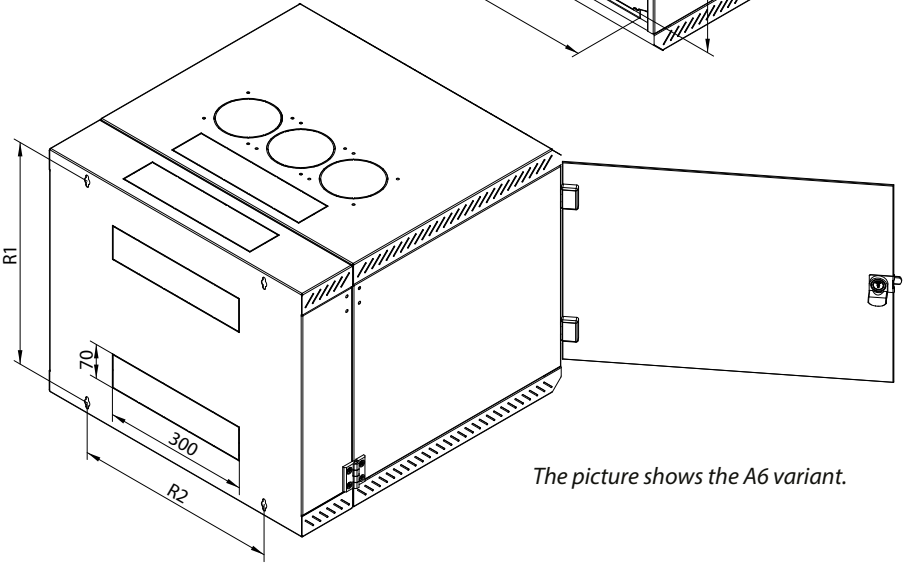
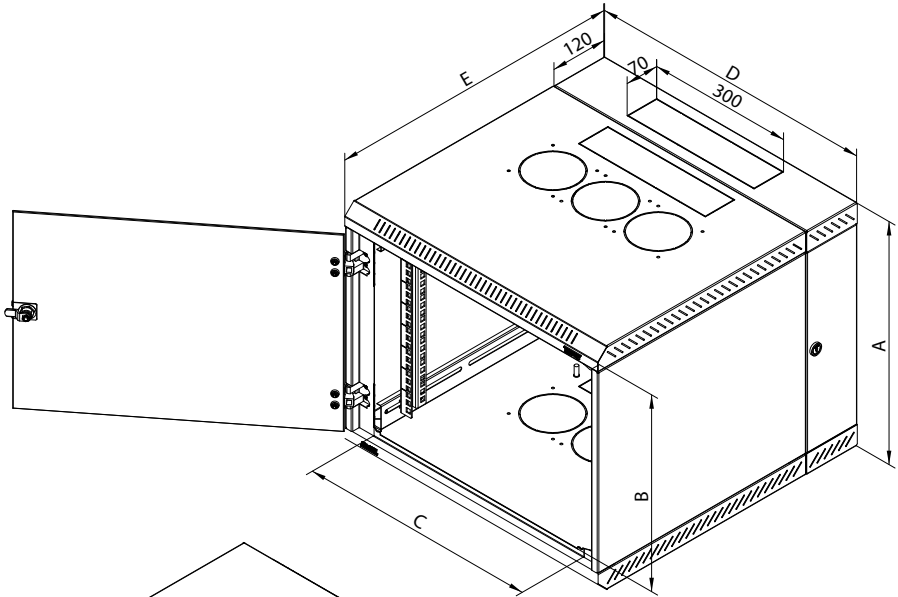
RBA (DELTA B 6D)										
Type	A	B	C	D	E	R1	R2	Weight gross (kg)	Weight net (kg)	Maximum recommended load (kg)
(mm)										
RBA-04-AD6-CAX-A1	280	175	516	600	615	234	420	17,3	17,0	20
RBA-06-AD6-CAX-A1	370	265	516	600	615	324	420	19,3	18,9	20
RBA-09-AD6-CAX-A1	500	395	516	600	615	454	420	22,7	22,4	25
RBA-12-AD6-CAX-A1	635	530	516	600	615	589	420	26,2	25,9	25
RBA-15-AD6-CAX-A1	770	665	516	600	615	724	420	29,7	29,3	30
RBA-18-AD6-CAX-A1	900	795	516	600	615	854	420	33,6	33,2	30

* For purchase of data cabinet ready for fans it is necessary to specify ...-A6 at the end of product code.



■ Ventilation

The RBA type A6* has 6 break-out blanking panels for the installation of ventilation units RAC-CH-X2x-X1 or fans RAX-CH-X07-X9 (up to 3 in top and 3 in bottom part of the cabinet). The RBA cabinet now allows the installation of equipment that previously could not be cooled enough in wall-mounted cabinets and had to be installed in free-standing cabinets.



The picture shows the A6 variant.

■ Easy access

The opening parts of the cabinet allow easy access to the rear of the cabinet. After unlocking the connecting locks, the front section of the cabinet can be easily opened. All parts are bonded together.

Wall-mounted cabinet RBA – two-sectioned

Two-sectioned welded wall cabinet IP20, load capacity 20 – 30 kg.

PRODUCT DETAILS

Rigid construction

The cabinet has a robust welded construction. High quality workmanship and the latest technology ensure excellent design of the cabinet.

Doors

The cabinet doors are fully glass as standard, but can also be solid metal or perforated on request.

Flexible door opening

The own hinge system allows the door to be opened at an angle of 165°. The door can be easily removed.

Glass

The full-glass door are made of 4mm thick tempered safety glass, which is resistant to common impacts. When broken, it forms a number of small fragments like automotive glass. For safety reasons, we recommend closing the door after installing the equipment in the cabinet to prevent collision with other objects. Used glass is tested in a certified testing laboratory and meet the requirements of ČSN EN 12150-1+A: Glass in construction – Thermally tempered soda-lime-silicate safety glass. The tested glass meets the standard for the disintegration of glass after breakage, Certificate of Conformity CQ-24-2023, Test Protocol IKATES 58A-2024.

Locks

In the standard version, the door lock and the hinged part have the same key.

Easy access

The opening parts of the cabinet allow easy access to the rear of the cabinet. After unlocking the connecting locks, the front section of the cabinet can be easily opened. All parts are bonded together.

Adjustable vertical rails

Vertical 19" rails can be adjusted freely in any depth of the cabinet. This simplifies mounting of the device and configuration of cables.

Break-out blanking panels

In the upper, lower and rear part of the cabinet there are cable entrances covered with break-out blanking panels. The cables can be sealed against dust penetration with a brush. A fringe edge is used to protect the cables from damage (both included in the cabinet supply).

Ventilation

The RBA-xx-AD5-A6 and RBA-xx-AD6-A6 has 6 break-out blanking panels for the installation of ventilation units RAC-CH-X2x-X1 or fans RAX-CH-X07-X9 (up to 3 in top and 3 in bottom part of the cabinet). The RBA cabinet now allows the installation of equipment that previously could not be cooled enough in wall-mounted cabinets and had to be installed in free-standing cabinets.

DESCRIPTION, PURPOSE OF USE

- 19" two-sectioned wall-mounted cabinet with IP20 protection.
- Cabinet is to be hanged right on the wall.
- Cabinet includes two sliding vertical rails.
- Cabinet construction:
 - Compact welded cabinet,
 - Safety hardened fully glass door, thickness 4 mm. May be solid metal or perforated on request.
- Max. permissible load of the door is 10 kg.
- Min. thickness of the surface finish is 65 µm.
- Cabinets are intended for installation of data and telecommunication devices and their distribution systems.
- The frame of the cabinet and all the removable parts (side and rear covers, doors...) are bonded with flexible cables that have to be properly fixed and inserted into connectors throughout the period of use of the cabinet.
- There is one M8 screw placed on the bottom part of the cabinet as a central earthing point.
- Cable entries covered with break-out blanking panels are placed in the top and the bottom part of the cabinet rear side, others are in the top and the bottom side of cabinet.
- The A6 version has openings for the fan unit installation in the bottom and top of the cabinet, covered by break-out blanking panels.

ADDITIONAL INFORMATION

Operating conditions

- **Operating environment:**
 - the indoor environment,
 - the cabinet is not intended for outdoor installations and for installations in environment that can negatively influence the functionality of the cabinet and/or the mounted devices (e.g. environment with danger of explosion or humid and wet surroundings).
- **Must be protected against:**
 - mechanical damage,
 - improper handling,
 - a different usage than the cabinet is intended for.
- **Improper handling is especially:**
 - overloading (exceeding the maximum recommended load capacity),
 - installation of equipment that adversely affects the operation and function of the cabinet or installed equipment,
 - change of the construction or design of the cabinet.

Installation of the cabinet

This type of cabinet is to be hanged directly on the wall using screws, dowels and washers (included). The spacing of the mounting holes is marked with "R" on the cabinet scheme. To secure the maximum recommended load capacity, it is necessary that the cabinet is mounted on a wall of adequate load capacity (brick, concrete or similar) and that the installed load is evenly distributed in the cabinet. If the cables are routed through one of the cable entries, it can be sealed against dust penetration with a brush and protected with a fringe edge (both included in the cabinet supply).

Environmental protection

All parts are made of recyclable materials and after decommissioning the cabinet, it must be disposed of according to relevant regulations.

Certificate and conformity

This product is certified with TÜV SÜD Czech and fully in accordance with ČSN EN 62208 ed.2:2012 (EN 62208:2011). Latest certificate is available at www.triton-racks.com/certificates.